

VHW420N..

VHW440N..

Spare parts catalog

Catalogue des pièces de rechange

Catalogo de piezas de repuesto

This parts catalog covers the following models:

Ce catalogue de pièces détachées est valable pour les modèles d'aspirateurs suivants:

El presente catálogo de repuestos tiene validez para los modelos de aspiradores:

VHW420

VHW440

All instructions, drawings, tables and any other information herein contained are to be considered as confidential technical descriptions. Therefore, all information and data shall not be reproduced either entirely or partially. No information may be passed to third parties without written authorization by the manufacturer who is the sole proprietor of it and who reserves the right of any modification that is considered suitable without prior notice.

Les instructions, les dessins, les plans et toutes autres informations contenues dans ce livret sont des données techniques réservée. Pour cela aucune information ne peut être reproduite ni entièrement ni partiellement et ne peut être communiquée à tiers sans autorisation écrite du constructeur qui en est le propriétaire exclusif. Celle-ci se réserve aussi le droit d'effectuer sans avis préalable toutes les modifications qu'elle estimera nécessaires.

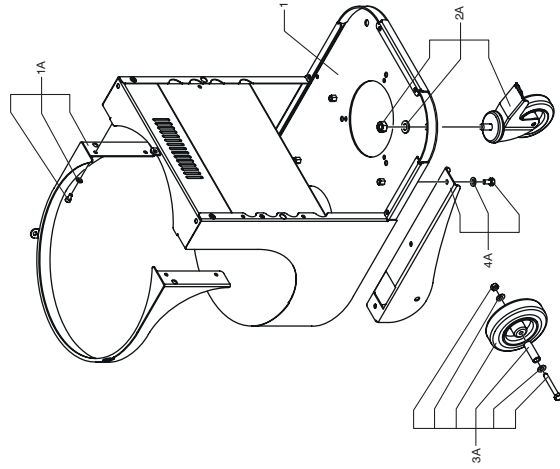
Las instrucciones, los dibujos, las tablas y demás que se encuentran en el presente folleto son de naturaleza técnica reservada y, por tanto, las informaciones no pueden ser reproducidas ni en su totalidad ni en parte y no pueden ser comunicadas a terceros sin la autorización escrita del productor que es el propietario exclusivo y que se reserva el derecho de hacer las modificaciones que considere oportunas sin aviso anticipado.

How to consult the catalog - Comment consulter ce catalogue
 Normas para consultar el catálogo

Mod.
 VHW420N..
 VHW440N..

2 1
 TAV.
 1-R0
 Mod.
 VHW420
 VHW440XXX

CARRELLO - CHARIOT - WAGEN - CAR - VAGONETA



Mod. VHW420 VHW420XXX VHW440 TAV. 1-R0

POS. N°	CODICE	Q	DESCRIZIONE	DESIGNATION	BENENNUNG	DESCRIPTION	DENOMINACIONES
1	4083800759	1	base orizzontale modulare	moduläre de base horizontale	horizontale Basis modulärer	modular horizontal base	base modular horizontal
1	4083800760	1	base orizzontale modulare inox	moduläre de base horizontale inox	horizontale Basis modulärer	ss modular horizontal base	base modular horizontal
1A	4089100473	1	kit fascia per laterale	—	—	band for the filler chamber kit	—
1A	4089100474	1	kit fascia per laterale inox	—	—	band for the filler chamber kit inox	—
2A	4089100354	1	kit ruote pivotanti	—	—	revolv. castor kit	—
2A	4089100389	1	kit ruote pivotanti inox	—	—	ss revolv. castor kit	—

3 4 5

1 - Machine model

Modèle de la machine
Modelo de la máquina

2 - Table number with modification indication

Numéro du plan avec indice de révision
Número de la lámina con índice de modificación

3- Position number of part

Numéro de position de la pièce
Número de posición de la pieza

Note: in the manual, stainless steel parts have the same position number as standard parts.

Remarque: dans le manuel les pièces en acier inoxydable ont le même numéro de position que les pièces standard.

Nota: en el manual, los particulares de acero inoxidable tienen el mismo número de posición que las piezas estándar.

4- Code number of part

Numéro de position de la pièce
Número de código de la pieza

5 - Quantity of parts per table

Quantité de pièces par plan
Cantidad de piezas por lámina

HOW TO ORDER SPARE PARTS

Any order for spare parts should be complete with the following information:

- A) Machine model
- B) Serial number
- C) Identification code number of the part required
- D) Quantity required
- E) Part description

POUR COMMANDER LES PIÈCES DÉTACHÉES

Donner toujours les indications suivantes:

- A) Type de la machine
- B) Numéro de série
- C) Code de la pièce
- D) Quantité demandée
- E) Dénomination de la pièce

NORMAS PARA HACER UN PEDIDO

En todos los pedidos debe indicarse los siguientes datos:

- A) Modelo de la máquina
- B) Numero de la matricula
- C) Numero de codigo
- D) Cantidad pedida
- E) Denominación

TAV. 1-R0

CHASSIS
CHARIOT
VAGONETA

TAV. 2-R0

CHASSIS
CHARIOT
VAGONETA

TAV. 3-R0

CHASSIS
CHARIOT
VAGONETA

TAV. 4-R0

CONTAINER UNIT
GROUPE CONTENEUR
GRUPO CONTENEDOR

TAV. 5-R0

FILTER GROUP
ENSEMBLE FILTRE
GRUPO FILTRO

TAV. 6-R0

LID GROUP
GROUPE LAVAGE
GRUPO DE LAVADO

TAV. 7-R0

SUCTION UNIT
GROUPE ASPIRATION
GRUPO ASPIRACION

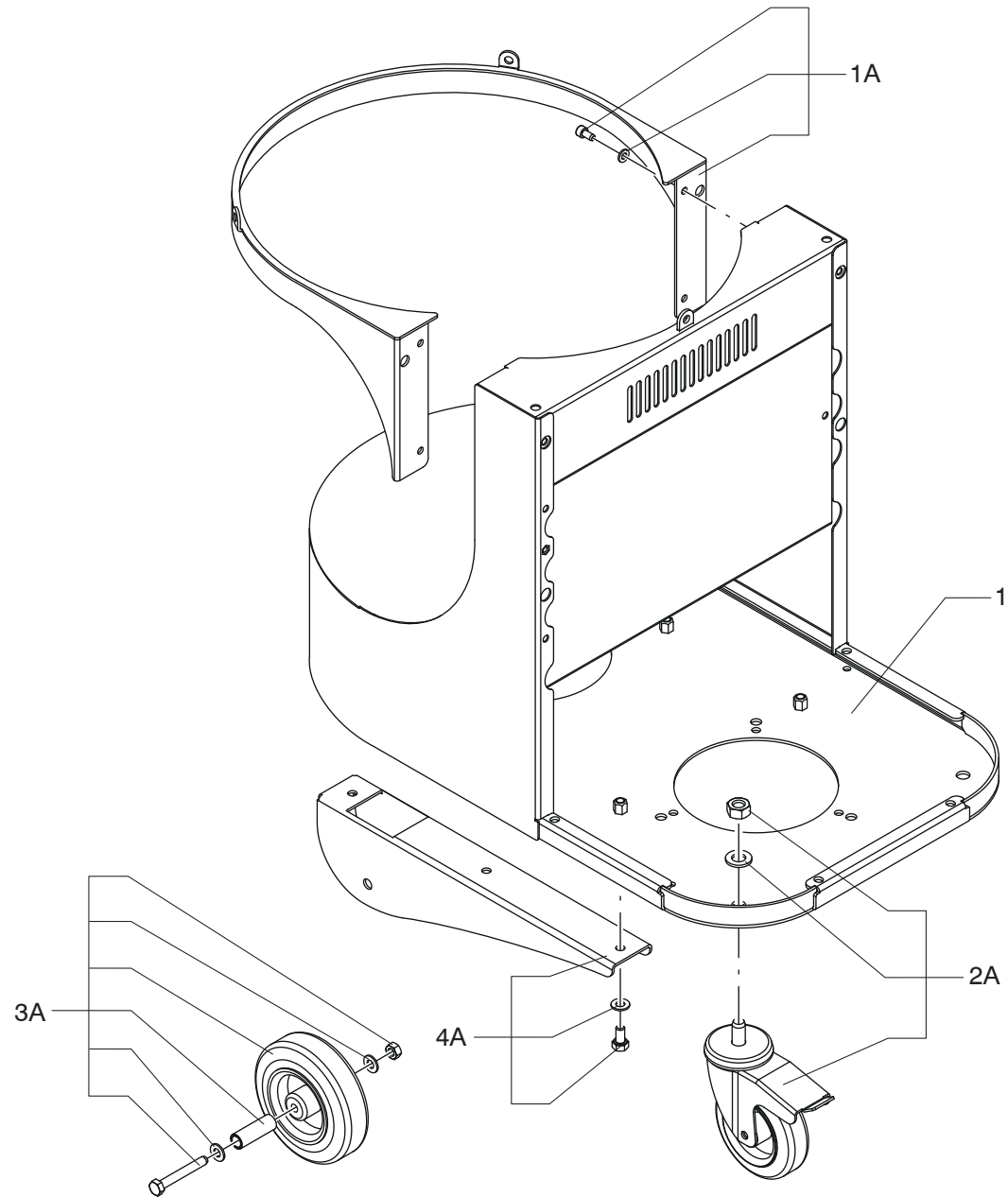
TAV. 8-R0

ELECTRIC SYSTEM
INSTALLATION ELECTRIQUE
INSTALACIONE ELECTRICA

CHASSIS - CHARIOT - VAGONETA

**TAV.
1-R0**

**Mod.
VHW420N..
VHW440N..**

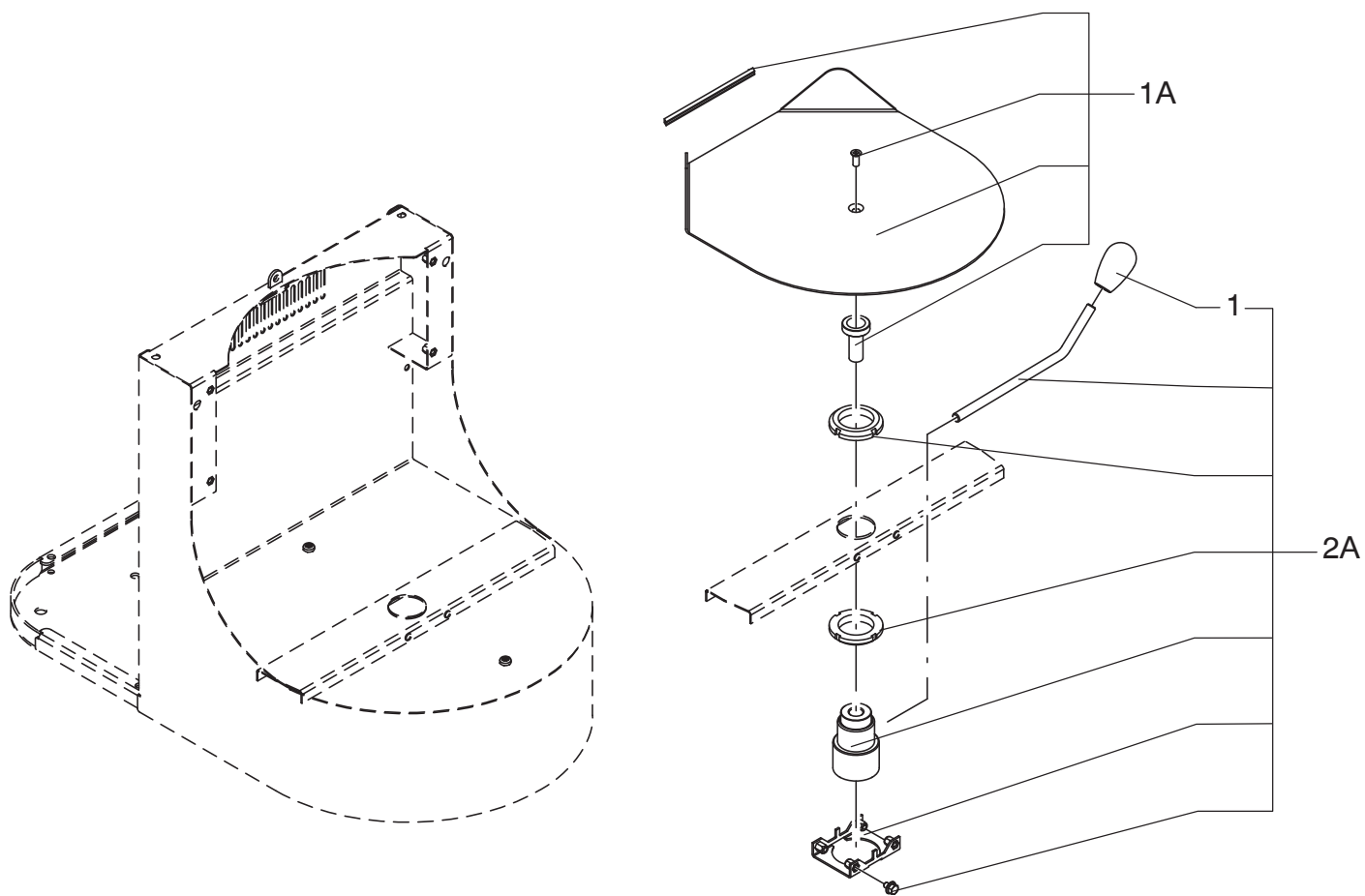


POS.	N°CODICE	Q	DESCRIZIONE	DESCRIPTION	DESIGNATION	DENOMINACIONES
1	4083600759	1	base orizzontale modulare	modular horizontal base	modulaire de base horizontale	base modular horizontal
1	4083600760	1	base orizzontale modulare inox	ss modular horizontal base	modulaire de base horizont. en inox	inox base modular horizontal
1A	4089100473	1	kit fascia per laterale	band for the filter chamber kit	—	—
1A	4089100474	1	kit fascia per laterale inox	ss band for the filter chamber kit	—	—
2A	4089100354	1	kit ruote pivottanti	swivel caster kit	—	—
2A	4089100389	1	kit ruote pivottanti inox	ss swivel caster kit	—	—
3A	4089100355	1	kit ruote fisse	fixed wheel kit	—	—
3A	4089100390	1	kit ruote fisse inox	ss fixed wheel kit	—	—
4A	4089100356	1	kit supporti ruote fisse	support kit for fixed wheels	—	—
4A	4089100391	1	kit supporti ruote fisse inox	ss support kit for fixed wheels	—	—

CHASSIS - CHARIOT - VAGONETA

**TAV.
2-R0**

**Mod.
VHW420N..
VHW440N..**

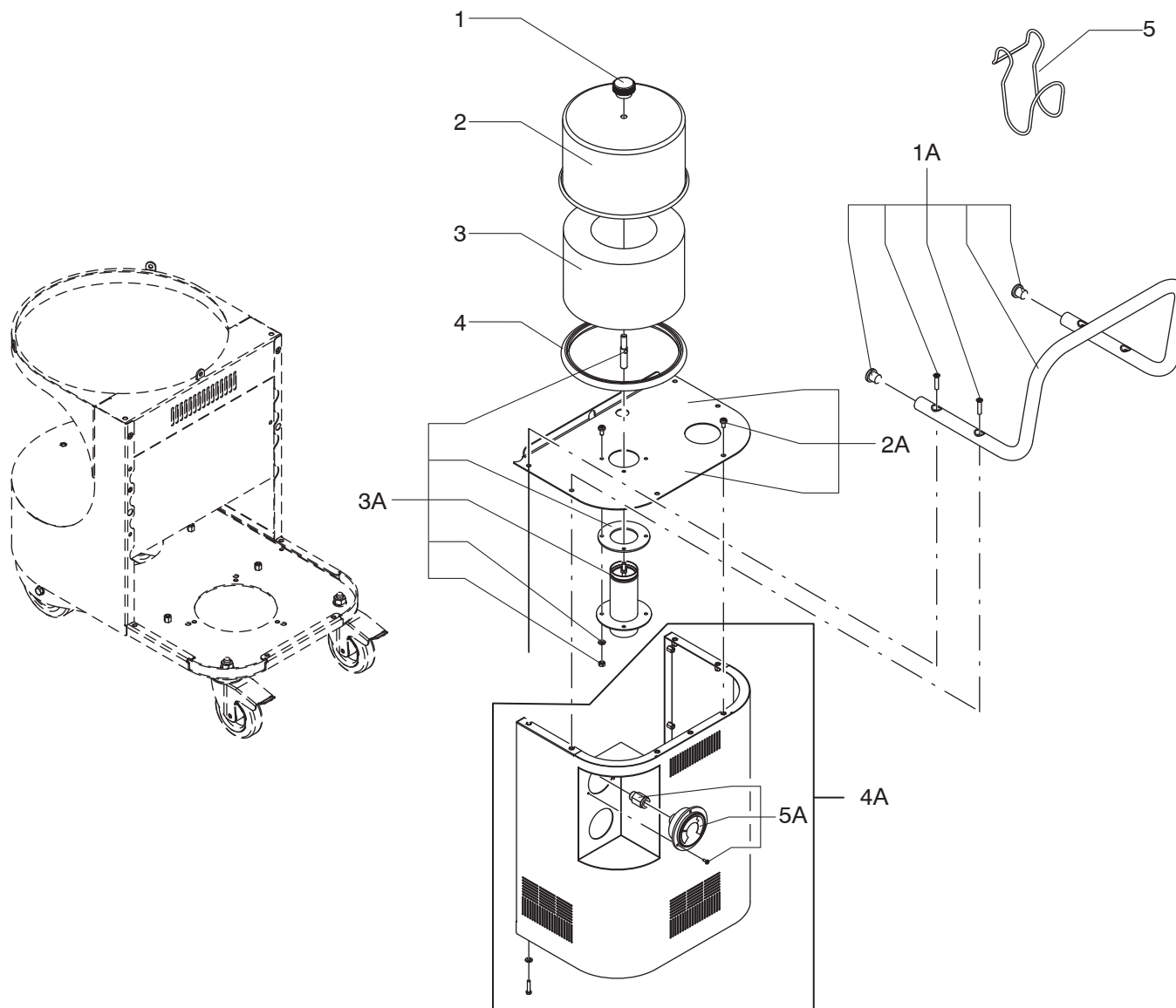


POS.	N°CODICE	Q	DESCRIZIONE	DESCRIPTION	DESIGNATION	DENOMINACIONES
1	4084001148	1	pomello	knob	pommeau	boton
1A	4089100475	1	kit supporto contenitore	container support kit	—	—
1A	4089100476	1	kit supporto contenitore inox	ss container support kit	—	—
2A	4089100477	1	kit sollevamento contenitore	container lifting kit	—	—
2A	4089100478	1	kit sollevamento contenitore inox	ss container lifting kit	—	—

CHASSIS - CHARIOT - VAGONETA

**TAV.
3-R0**

**Mod.
VHW420N..
VHW440N..**

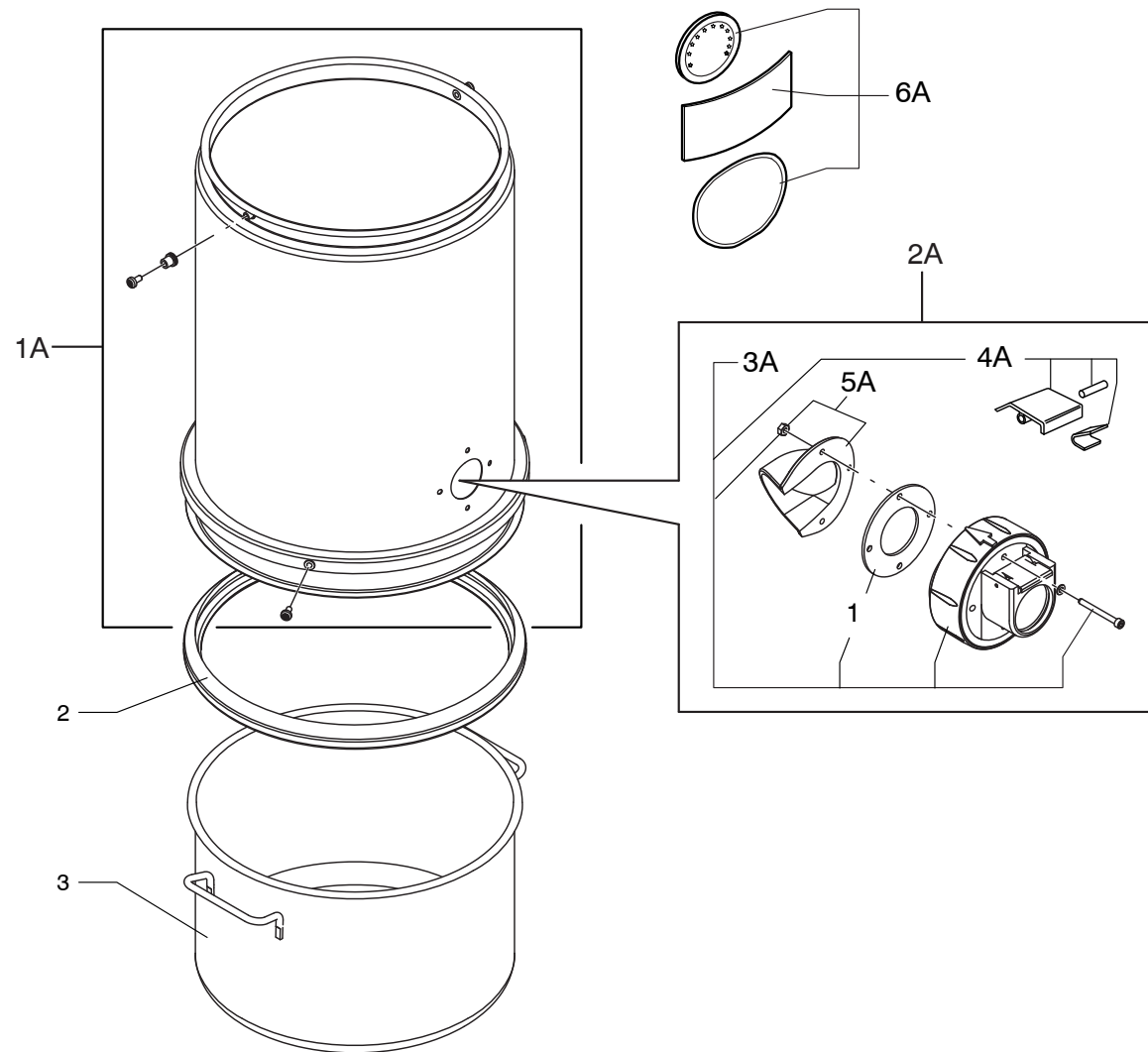


POS.	N°CODICE	Q	DESCRIZIONE	DESCRIPTION	DESIGNATION	DENOMINACIONES
1	4084001146	1	pomello	knob	pommeau	boton
2	4083000751	1	contenitore	container	chambre	contenedor
2	4083000752	1	contenitore inox	ss container	chambre inox	contenedor inox
3	4081701082	1	insonorizzante	soundproofing	insonorisation	insonorización
3	4081701076	1	filtro	filter	filtre	filtro
4	4081701092	1	guarnizione	seal	joint	junta
5	82219800	1	supporto	cord hanger	croisillon	soporte
5	4081600745	1	supporto inox	ss cord hanger	croisillon inox	soporte inox
1A	4089100479	1	kit manico	handle kit	—	—
1A	4089100483	1	kit manico inox	ss handle kit	—	—
2A	4089100480	1	kit carter di chiusura superiore	chassis top closure kit	—	—
2A	4089100484	1	kit carter di chiusura superiore inox	ss chassis top closure kit	—	—
3A	4089100481	1	kit fissaggio filtro assoluto	absolute filter assembly kit	—	—
3A	4089100485	1	kit fissaggio filtro assoluto inox	ss absolute filter assembly kit	—	—
4A	4089100482	1	kit carter di chiusura inferiore	chassis bottom closure kit	—	—
4A	4089100486	1	kit carter di chiusura inferiore inox	ss chassis bottom closure kit	—	—
5A	4089100459	1	kit vuotometro 3000	3000 vacuum gauge kit	—	—

CONTAINER UNIT- GROUPE CONTENEUR - GRUPO CONTENEDOR

**TAV.
4-R0**

**Mod.
VHW420N..
VHW440N..**

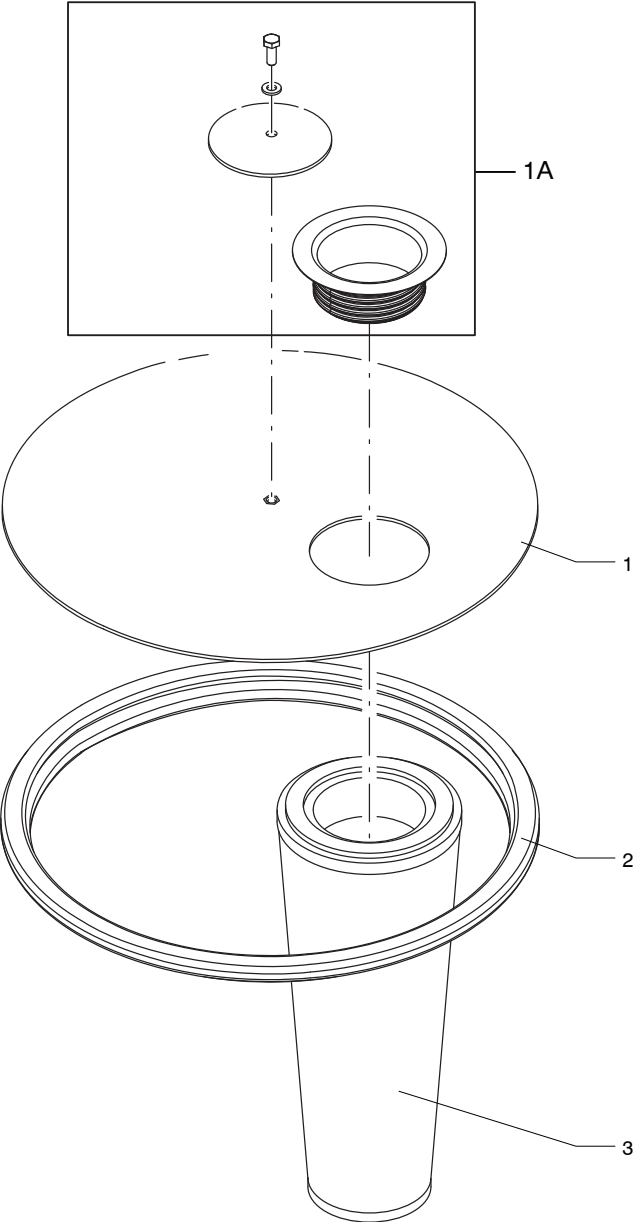


POS.	N°CODICE	Q	DESCRIZIONE	DESCRIPTION	DESIGNATION	DENOMINACIONES
1	Z8 17006	1	guarnizione	seal	joint	junta
2	Z8 17075	1	guarnizione	seal	joint	junta
2	Z8 17227	1	guarnizione silicone	silicon seal	joint en silicone	junta de silicona
3	4083000749	1	contenitore	container	chambre	contenedor
3	4083000748	1	contenitore inox	ss container	chambre inox	contenedor inox
1A	4089100487	1	kit laterale	filter chamber kit	—	—
1A	4089100488	1	kit laterale inox	ss filter chamber kit	—	—
2A	4089100489	1	kit bocchettone completo	inlet full kit	—	—
2A	4089100490	1	kit bocchettone completo inox	ss inlet full kit	—	—
3A	4089100491	1	kit bocchettone	inlet kit	—	—
4A	40000345	1	kit pulsante per bocchettone	pushbutton kit for inlet	—	—
5A	4089100493	1	kit deflettore	deflector kit	—	—
5A	4089100494	1	kit deflettore inox	ss deflector kit	—	—
6A	4089100495	1	kit adesivi VHW420	label kit VHW420	—	—
6A	4089100502	1	Kit adesivi VHW440	label kit VHW440	—	—

FILTER GROUP - ENSEMBLE FILTRE- GRUPO FILTRO

**TAV.
5-R0**

**Mod.
VHW420N..
VHW440N..**

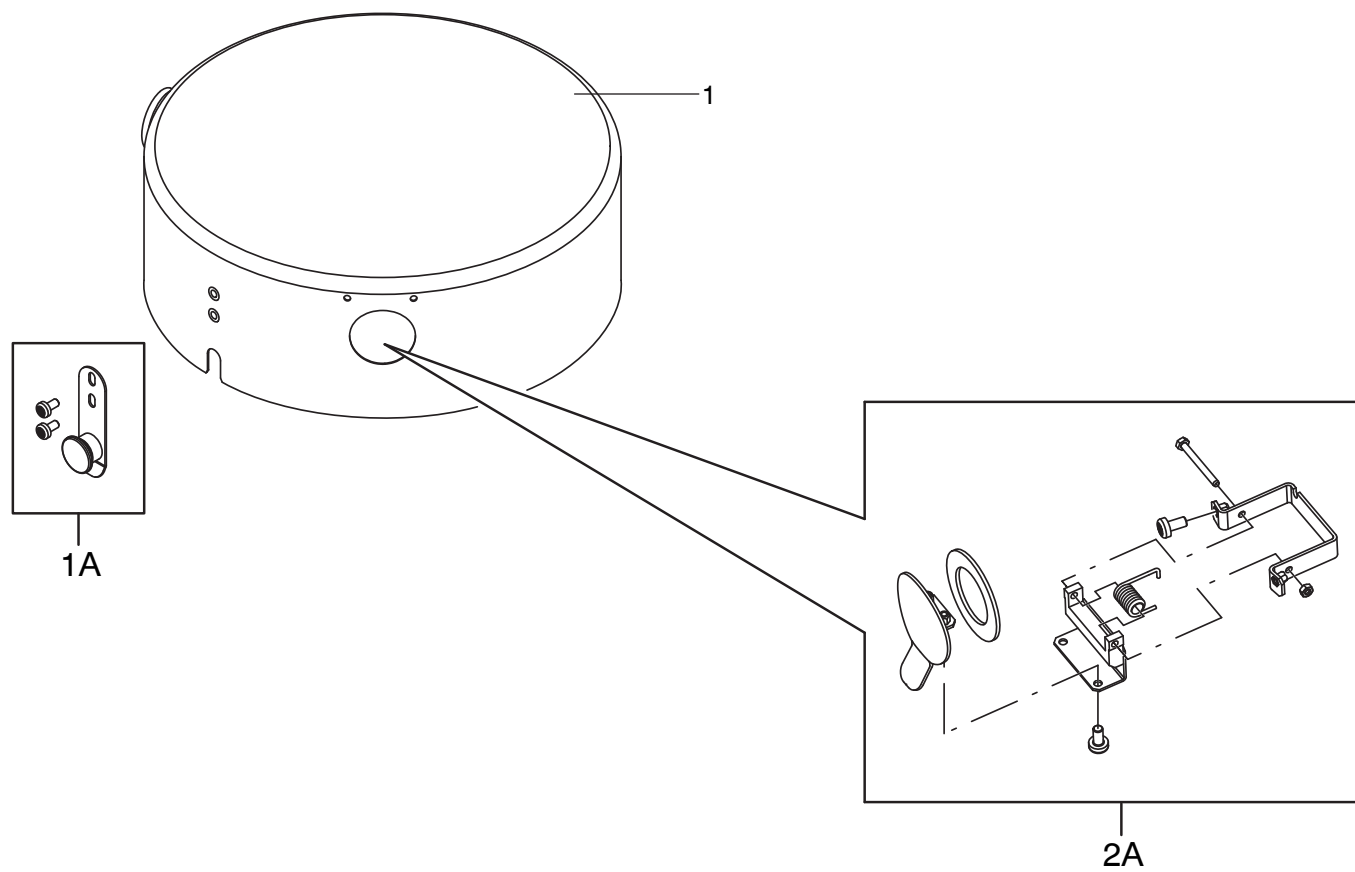


POS.	N°CODICE	Q	DESCRIZIONE	DESCRIPTION	DESIGNATION	DENOMINACIONES
1	4081500237	1	disco portafiltro	filter plate	disque porte filtre	disco por filtro
1	4081500238	1	disco portafiltro inox	ss filter plate	disque porte filtre inox	disco por filtro inox
2	4081701093	1	guarnizione	seal	joint	junta
2	4081701094	1	guarnizione silicone	silicon seal	joint en silicone	junta de silicona
3	4081701065	4	filtro	filter	filtre	filtro
1A	4089100496	1	kit fissaggio filtri	filter mounting kit	—	—
1A	4089100497	1	kit fissaggio filtri inox	ss filter mounting kit	—	—

LID GROUP - GROUPE LAVAGE - GRUPO DE LAVADO

TAV.
6-R0

Mod.
VHW420N..
VHW440N..

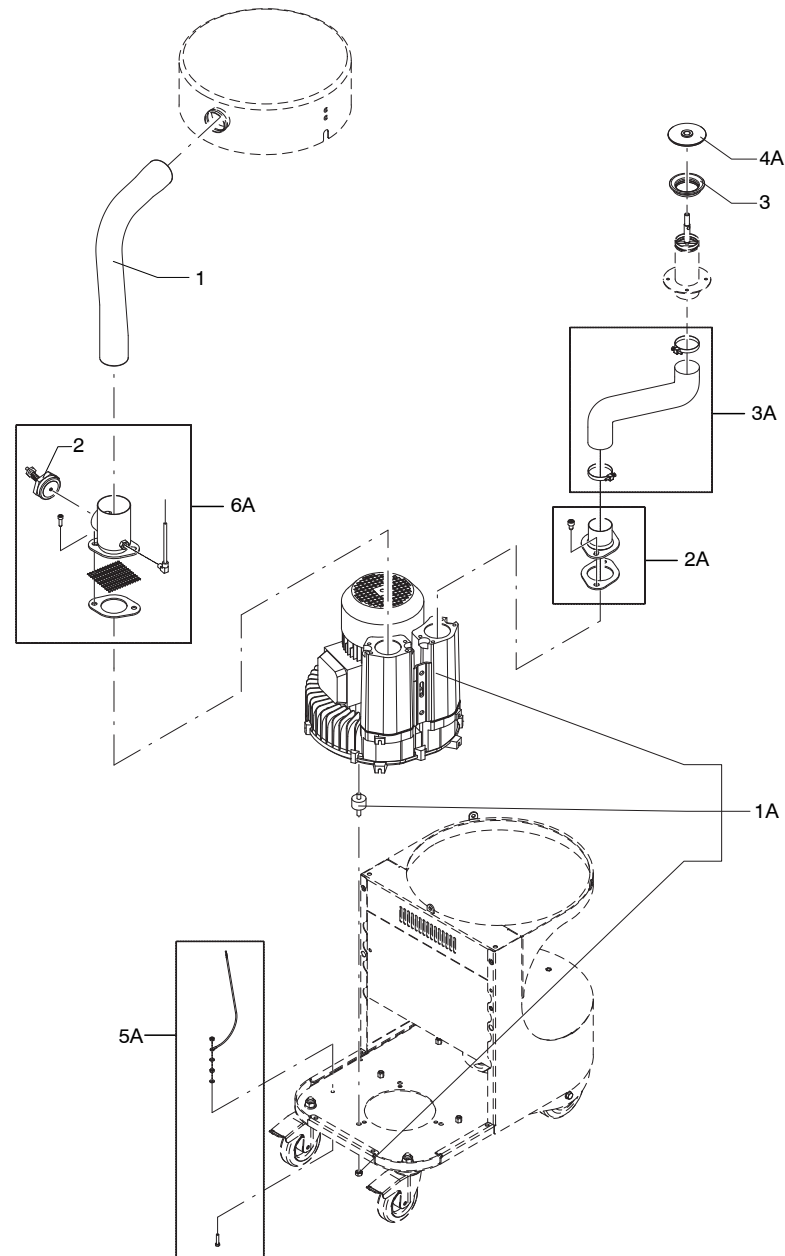


POS.	N°CODICE	Q	DESCRIZIONE	DESCRIPTION	DESIGNATION	DENOMINACIONES
1	4083101309	1	cappello	lid	chapeau	sombrero
1	4083101310	1	cappello inox	ss lid	chapeau inox	sombrero inox
1A	4089100330	1	kit leve chiusura cappello	lid release lever kit	—	—
2A	4089100366	1	kit PullClean	PullClean flap kit	—	—
2A	4089100369	1	kit PullClean inox	ss PullClean flap kit	—	—

SUCTION UNIT - GROUPE ASPIRATION - GRUPO ASPIRACION

TAV.
7-R0

Mod.
VHW420N..
VHW440N..

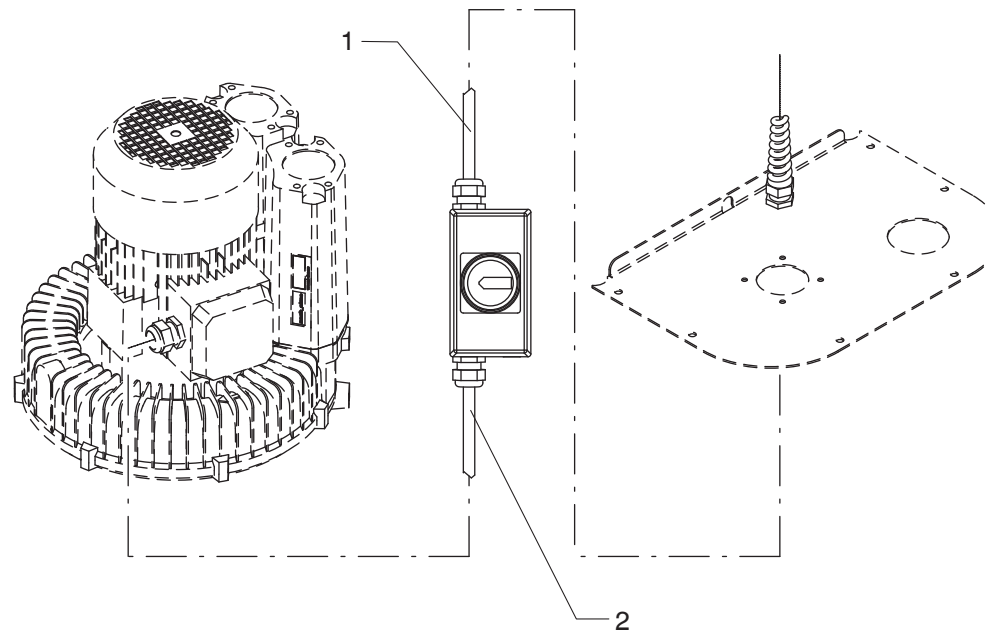
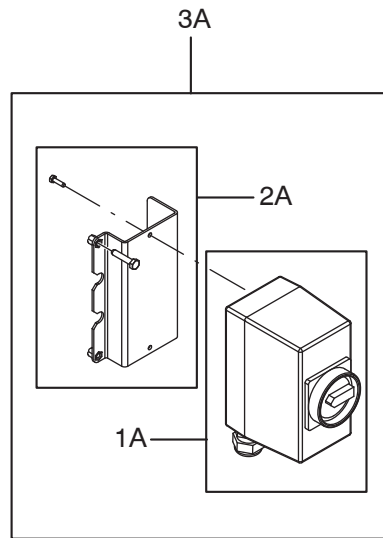


POS.	N°CODICE	Q	DESCRIZIONE	DESCRIPTION	DESIGNATION	DENOMINACIONES
1	4089100492	1	Kit tubo VHW420-421	hose kit VHW420-421	—	—
2	Z8 34024	1	valvola	valve	soupape	valvula
3	4084000988	1	guarnizione	seal	joint	junta
1A	40000971	1	kit soffiante VHW420 460V	suction unit kit VHW420 460V	—	—
1A	4089100499	1	kit soffiante VHW440 460V	suction unit kit VHW440 460V	—	—
1A	40000987	1	kit soffiante VHW420 200-240V	suction unit kit VHW420 200-240V	—	—
1A	4089100556	1	kit soffiante VHW440 200-240V	suction unit kit VHW440 200-240V	—	—
1A	4089100555	1	kit soffiante VHW420 575V	suction unit kit VHW420 575V	—	—
1A	4089100557	1	kit soffiante VHW440 575V	suction unit kit VHW440 575V	—	—
2A	40000556	1	kit raccordo soffiante	blowing connection kit	—	—
3A	40000557	1	kit tubo	hose kit	—	—
4A	4056000603	1	kit clappet	clapet kit	—	—
5A	40000877	1	kit cavo di terra	ground cable kit	—	—
6A	4089100516	1	kit raccordo aspirazione	suction connection kit	—	—

ELECTRIC SYSTEM - INSTALLATION ELECTRIQUE - INSTALACIONE ELECTRICA

**TAV.
8-R0**

**Mod.
VHW420N..
VHW440N..**



POS.	N°CODICE	Q	DESCRIZIONE	DESCRIPTION	DESIGNATION	DENOMINACIONES
1	4083901470	1	kit cavo alimentazione	power cord kit	—	—
2	4083901473	1	cavo motore	motor power cord	—	—
1A	4089100539	1	kit impianto elettrico VHW420 460V	electric box kit VHW420 460V	—	—
1A	4089100541	1	kit imp.el. VHW420 200-240V	electric box kit VHW420 200-240V	—	—
1A	4089100543	1	kit imp.el.VHW420 575V	electric box kit VHW420 575V	—	—
1A	4089100540	1	kit imp.el.VHW440 460V	electric box kit VHW440 460V	—	—
1A	4089100542	1	kit imp.el.VHW440 200-240V	electric box kit VHW440 200-240V	—	—
1A	4089100544	1	kit imp.el.VHW440 575V	electric box kit VHW440 575V	—	—
2A	4089100545	1	kit supporto Q.E.	electric panel support kit	—	—
2A	4089100546	1	kit supporto Q.E. inox	ss electric panel support kit	—	—
3A	4089100547	1	kit impianto elettrico comp. VHW420 460/575V	el. box + supp. kit VHW420 460/575V	—	—
3A	4089100548	1	kit impianto elettrico comp. VHW420 460/575V inox	ss el. box + supp.kit VHW420 460/575V	—	—
3A	4089100549	1	kit impianto elettrico comp. VHW420 200-240V	el. box + support kit VHW420 200-240V	—	—
3A	4089100550	1	kit impianto elettrico comp. VHW420 200-240V inox	ss el. box + supp.kit VHW420 200-240V	—	—
3A	4089100551	1	kit impianto elettrico comp. VHW440 460/575V	el. box + support kit VHW440 460/575V	—	—
3A	4089100552	1	kit impianto elettrico comp. VHW440 460/575V inox	ss el. box + supp.kit VHW440 460/575V	—	—
3A	4089100553	1	kit impianto elettrico comp. VHW440 200-240V	el. box + support kit VHW440 200-240V	—	—
3A	4089100554	1	kit impianto elettrico comp. VHW440 200-240V inox	ss el. box + supp.kit VHW440 200-240V	—	—

IMPORTANT

Information and data contained in this publication are correct and up to date at the time of printing. The company does, however, continually try to improve the products and such improvements may give rise to structural changes requiring modifications in the above procedures. Should any differences be noted, please contact your nearest sales and assistance center for help in clearing up any possible doubts.

IMPORTANT

Les renseignements et indications contenus dans le présent livret étaient exacts et à jour au moment de l'impression. Dans un souci d'amélioration, nos matériels peuvent avoir bénéficié d'évolutions ou avoir été modifiés. Au cas où vous remarqueriez des différences, veuillez vous adresser à un Centre de vente et Service après-vente pour éliminer toute possibilité de doute.

IMPORTANTE

Las informaciones y los datos contenidos en esta publicación son exactos y actualizados hasta el momento de la impresión. Es nuestra norma tratar de mejorar el producto, consecuentemente algunas modificaciones constructivas pueden afectar los procedimientos descritos. Cuando se noten diferencias eliminar cualquier duda dirigiéndose a un Centro de Venta y Asistencia.
